



# Energy Environment Solutions for Sustainable Growth



## Compact TD Trap Module-TCTM RD STEAM ENGINEERING

### INTRODUCTION

Compact Thermodynamic Steam Trap Module is a integrated ready to install module with valve station and Thermodynamic Trap with inbuilt Strainer. Compact trap module is best suited for draining condensate from steam lines / header in Process industry & Refineries. Replacing traditional module assembly with compact space.

### FEATURES

- Compact Assembly against traditional Trap Module
- Online Trap Testing facility through test valves for checking open flow / closed flow condition.
- Replaceable seat made from Stainless Steel with hardened disc - Ensures better life of Trap & easy replacement.
- Inbuilt Strainer Screen – for restricting the entry of foreign particle in side Trap Body.
- Ready to install – Avoids fabrication cost required for assembling accessories Modules.
- Easy and quick maintenance.

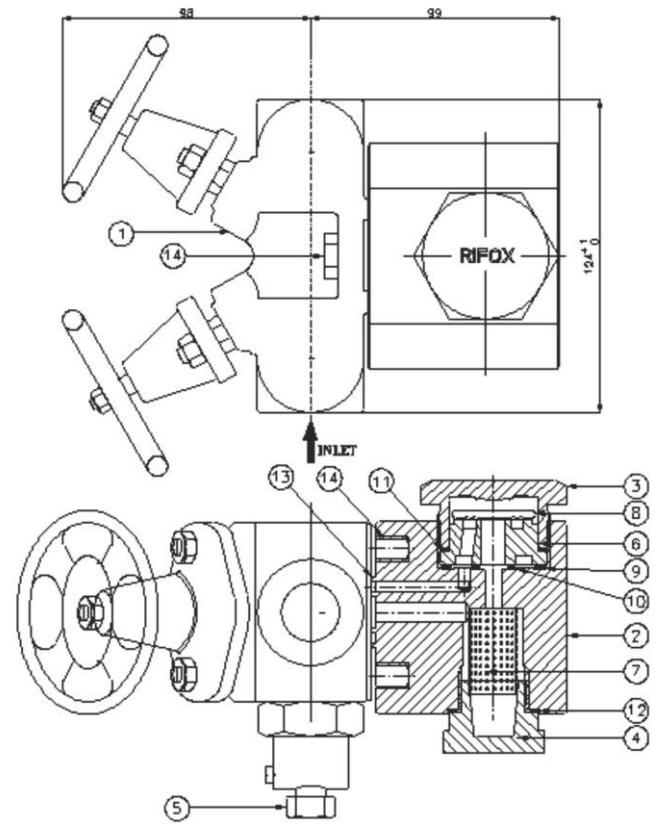
### DESIGN SPECIFICATIONS

Design Code	IBR, ASME
Size	15 NB
End connection	SW # 3000 (ASME B 16.11)
Certification	IBR / MNFC as per requirement
PMO	50 kg/cm <sup>2</sup>
TMO	425 °C
Hydro test Pressure	75 kg/cm <sup>2</sup>

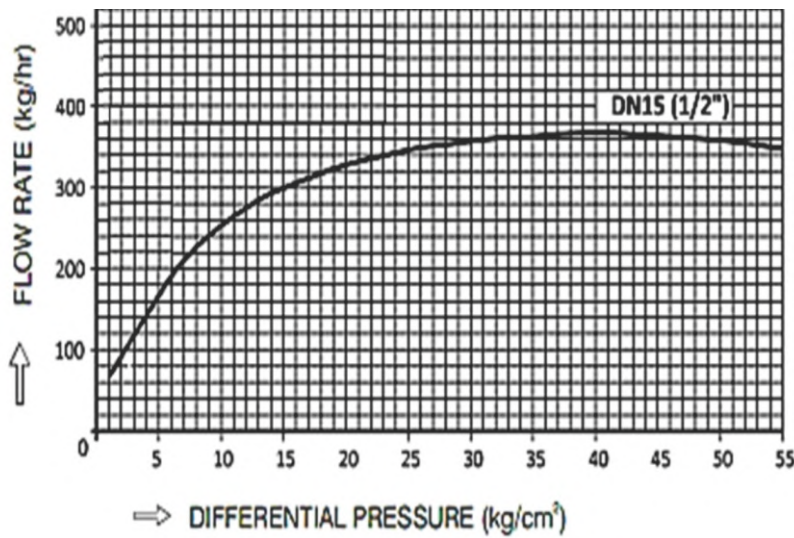
## MATERIAL SPECIFICATION

Sr No	Description	Material Specification
1	Compact valve body with all valves	A351 Gr. CF8
2	Trap Body	A105
3	Top Cap	A743 Gr. CA40 / A105
4	Strainer Bottom Cap	A743 Gr. CA40 / A105
5	Blowdown / Test Valves	A351 Gr CF8
6	Seat - Replaceable	A276 TP 420
7	Strainer Screen	A240 TP 304
8	Disc	A276 TP 420
9-13	Set of Gaskets	SS 304 + Graphite
14	Hex Bolt	A193 Gr. B7

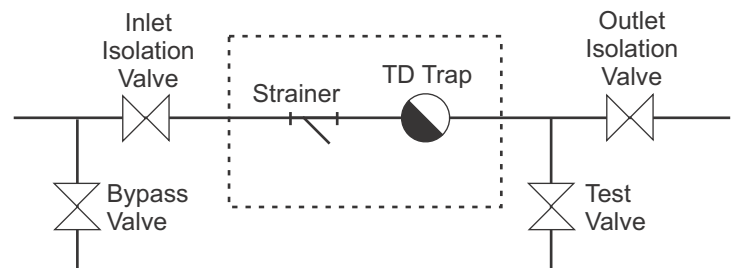
## DIMENSIONS



## CAPACITY CHART



## MODULE STRUCTURE



[www.thermaxglobal.com](http://www.thermaxglobal.com)

Publication No. : SSBU/2019/SE/002

Ver. 2 - Jan 2018

### Registered Office

D-13, MIDC Industrial Area,  
R D Aga Road, Chinchwad,  
Pune 411019, India

[enquiry@thermaxglobal.com](mailto:enquiry@thermaxglobal.com)

Customer Care: 1800-209-0115



[www.linkedin.com/company/thermax](https://www.linkedin.com/company/thermax)

### Thermax Business Portfolio

- Heating
- Cooling
- Steam Engineering
- Air Pollution Control
- Chemicals
- Water and Wastewater Solutions
- Solar
- Power