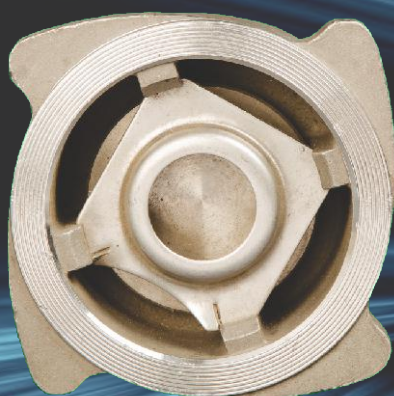




Energy Environment Solutions for Sustainable Growth



Disc Check Valve

STEAM ENGINEERING

INTRODUCTION

Disc Check Valve (TDCV) is wafer type non return valve manufactured from stainless steel SS316 material. TDCV is designed for handling water, steam and condensate. Its spring loaded design permit flow only in one direction and prevent flow in the reverse direction.

These valves are used in process lines, hot & cold water systems, heating systems, steam and condensate lines, oil lines.

STANDARDS

Design	Manufacturer's Standard
Face to face / Dimensions	Manufacturer's Standard
Testing	API 598

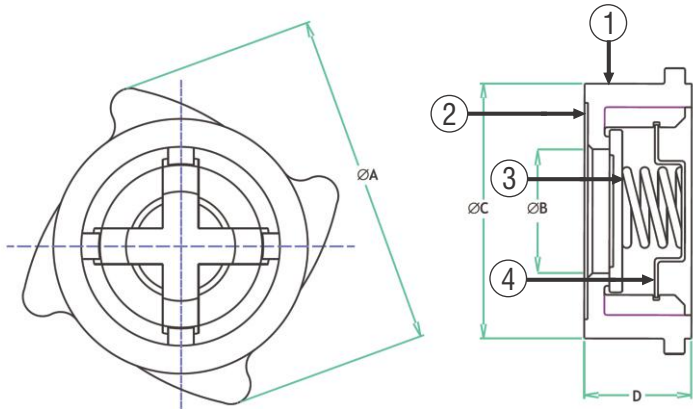
FEATURES

- Low pressure drop
- SS Body with SS internals
- Simple and compact design
- Check valves are commonly used to ensure flow of fluids like water, gases and steam in one direction & to prevent its flow in reverse direction
- These valves are compact and need minimum installation time which is a distinct advantage of these valves.
- Specially useful on the outlet of steam trap before joining with condensate return header.

SPECIFICATIONS

Size	15mm - 150 mm
Suitable for	Wide variety of Liquids, Gases & Vapors
Certification	Available with IBR Certification

MATERIAL LIST

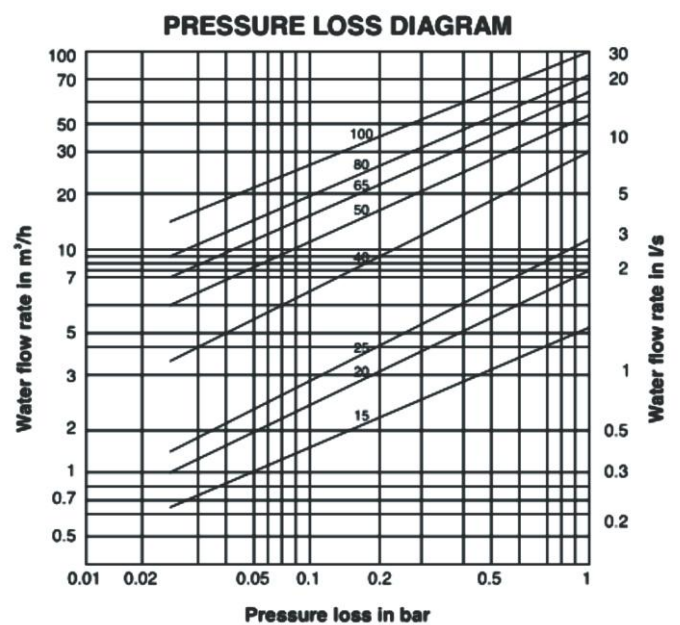


Sr No	Description	Material of Construction	Specifications
1	Body	Investment casting	ASTM A351 CF8M
2	Disc	Stainless Steel	ASTM A351 CF8M
3	Spring	Stainless Steel	SS 316
4	Spring Retainer	Stainless Steel	SS 316

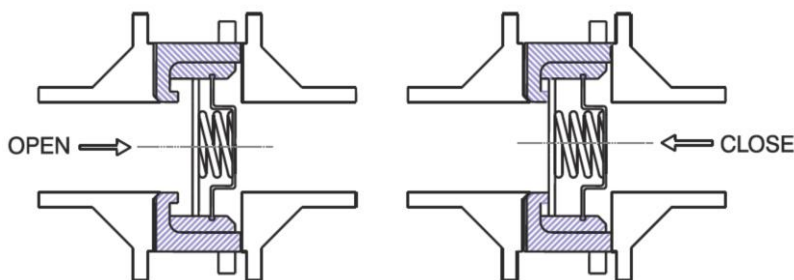
DIMENSIONS

Size	15	20	25	40	50	65	80	100	125	150
A	60	70	80	101	115	142	154	184	194	230
B	15	20	25	40	50	65	80	100	125	150
C	38	47	55	76	93	109	128	148	172	202
D	16	20	22	32	40	46	50	60	70	74

PRESSURE DROP CHART



OPERATION



Disc Check Valve (TDCV) are compact spring loaded easy to install non return valves and are to be sandwiched in between a pair of flanges. The valve comes in SS 316 and metal to metal sealing. When flow takes place in the required direction the spring is compressed and permits flow of fluid. When fluid returns the spring comes to its normal position and blocks flow in the reverse direction.



www.thermaxglobal.com

Publication No. : SSBU/2015/SE/002

Ver. 2 - Jun 2020

Registered Office

D-13, MIDC Industrial Area,
R D Aga Road, Chinchwad,
Pune 411019, India

enquiry@thermaxglobal.com

Customer Care: 1800-209-0115



www.linkedin.com/company/thermax

Thermax Business Portfolio

- Heating
- Cooling
- Steam Engineering
- Air Pollution Control
- Chemicals
- Water and Wastewater Solutions
- Solar
- Power