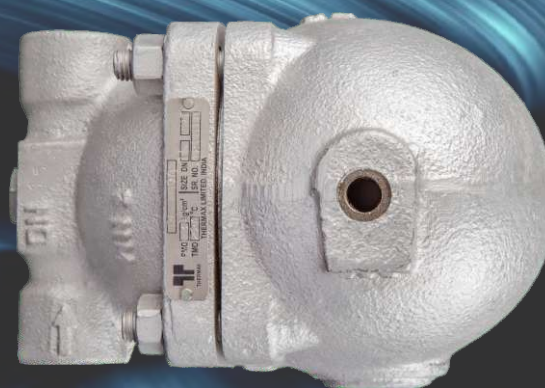




# Energy Environment Solutions for Sustainable Growth

## Liquid Drainer



**RIFomat RL-1290**

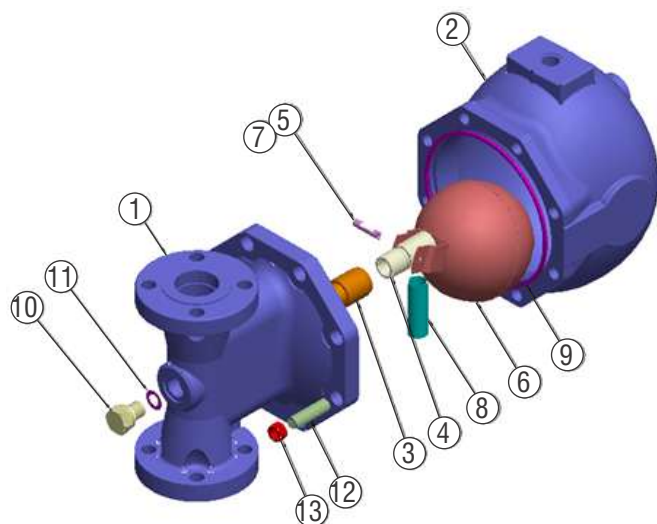
**STEAM ENGINEERING**

### Introduction

RIFomat RL-1290 is a float controlled liquid drain trap. Liquid drainers are pipeline ancillaries used for removing moisture from media i.e compressed air / gases accumulated in pipelines/receivers arresting media.

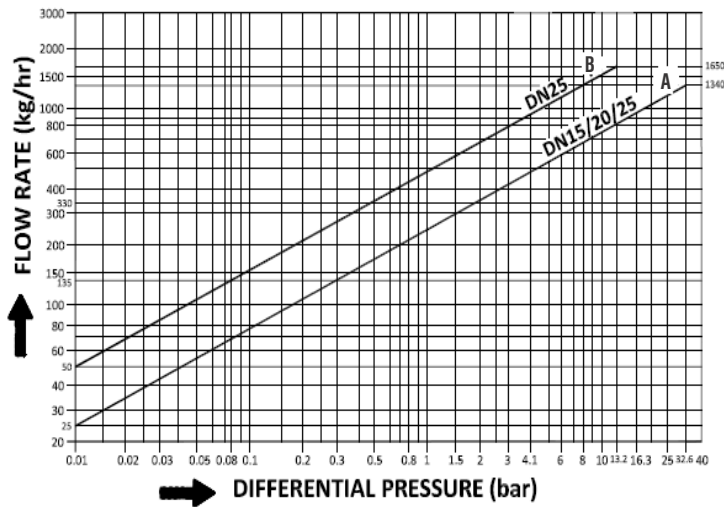
### Material

No	Component	Material	Specification
1	Housing Flanged	Cast Steel	ASTM A216 Gr. WCB
2	Body Housing	Cast Steel	ASTM A216 Gr. WCB
3	Drain Support Tube	St. Steel	ASTM A276 Type 304
4	Drain Tube	St. Steel	ASTM A276 Type 304
5	Rotary Slide Valve	St. Steel	ASTM A276 Type 440B
6	Float	St. Steel	ASTM A240 Type 304
7	Split Pin	St. Steel	SS 304

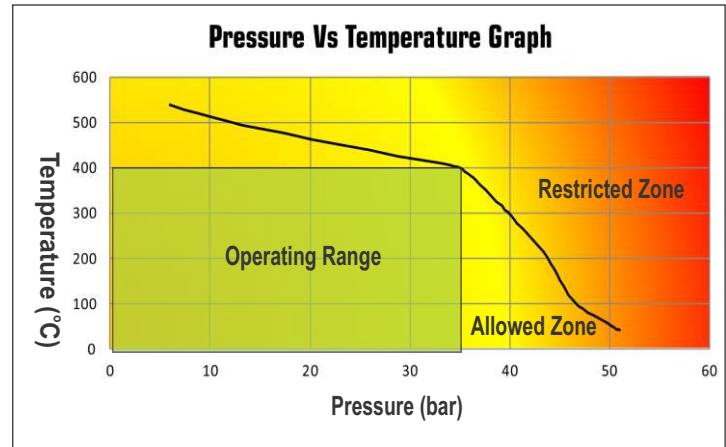


No	Component	Material	Specification
8	Immersion Tube	St. Steel	ASTM A312 Type 304
9	Housing Gasket (SWG)	St. Steel + Graphite	ASTM A240 Type 304 + Graphite
10	Supporting Screw	St. Steel	ASTM A276 Type 304
11	Supporting Screw Gasket	St. Steel	ASTM A276 Type 304
12	Stud	St. Steel	ASTM A193 Grade B7
13	Hex Nut	St. Steel	ASTM A194 Grade 2H

## Capacity Chart



## Pressure Vs Temp Graph



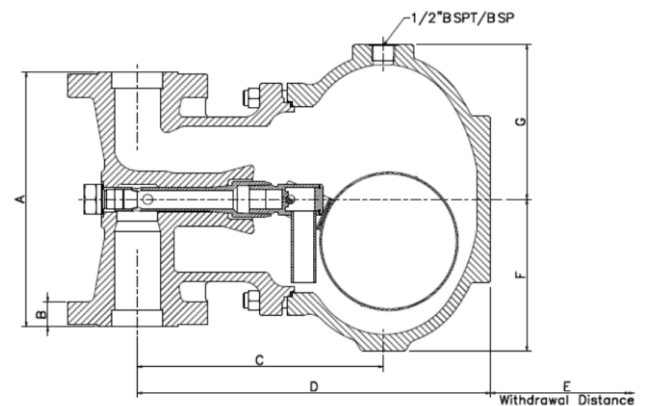
## Body Design Conditions

Parameter	Screwed End
Maximum Operating Pressure - PMO (kg/cm <sup>2</sup> )	32.6
Maximum Operating Temperature - TMO (°C)	425
Hyd. Test (kg/cm <sup>2</sup> )	65.2

### End Connections :

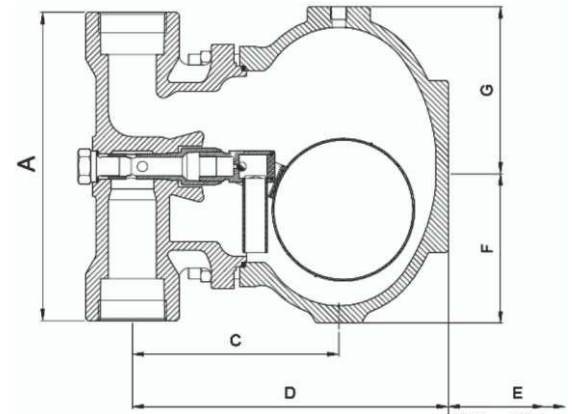
- Screwed NPT
- Flanged ends to ANSI B16.5 class 150 / class 300

Sizes : DN15, DN20, DN25, DN40 & DN50



## Dimensions & Weight

Size	A		B	C	D	E	F	G	Weight (Kgs)	
	Flanged	Screwed							Flanged	Screwed
DN 15 (1/2")	150	145	18.5	180	240	130	110	110	13	10
DN 20 (3/4")	150	145	18.5	180	240	130	110	110	14	10
DN 25 (1")	160	145	18.5	185	245	130	110	110	14.5	11
DN 40 (1 1/2")	230	270	22.5	225	320	180	145	145	30	25
DN 50 (2")	230	270	22.5	225	320	180	145	145	30	25



Product of RIFOX GmbH - A THERMAX group company



www.thermaxglobal.com

Publication No. : SSBU/2015/SE/017

Ver. 2 - Jun 2020

### Registered Office

D-13, MIDC Industrial Area,  
R D Aga Road, Chinchwad,  
Pune 411019, India

enquiry@thermaxglobal.com

Customer Care: 1800-209-0115



www.linkedin.com/company/thermax

### Thermax Business Portfolio

- Heating
- Cooling
- Steam Engineering
- Air Pollution Control
- Chemicals
- Water and Wastewater Solutions
- Solar
- Power